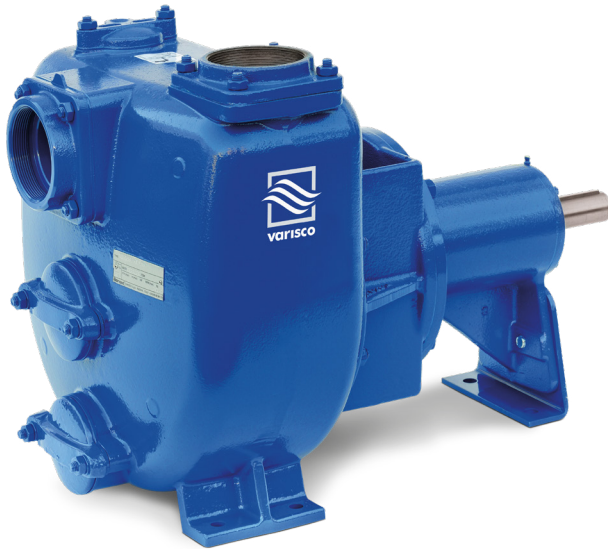


JS 3-225 Q10

Qmax 95 m³/h - 1583 l/min (418 USgpm) - Hmax 55 m (180 ft)

Code 10036036



Indicative picture of the product

Product Data

Suction port
Threaded - 3" ISO 228 (BSP)

Delivery port
Threaded - 3" ISO 228 (BSP)

Qmax
95 m³/h - 1583 l/min (418 USgpm)

Hmax
55 m (180 ft)

Solids handling
23 mm (0,9 ")

Weight
75 kg (165 lb)

EX version



Pump with dedicated code, including thermowell predisposition for temperature sensor and glass oiler for mechanical seal quench fluid, according to **ATEX 2014/34/EU**.

Self-priming centrifugal bare shaft pump

Characteristics

The J series self-priming centrifugal pumps are used in applications where a rapid priming capacity is required from demanding suction heights combined with the ability to transfer and manage polluted fluids, dirty and abrasives with suspended large diameter solids. The system is based on an inspectable pump casing which also acts as a water tank allowing a first quick priming without auxiliary systems, simplifying management of the system and reducing the time for maintenance. Within the physically permitted suction height limits, J pumps are a more comfortable and reliable solution than submersible pumps and vertical submersed impeller pumps.

Benefits

- 1) Rapid self-priming**
Without foot valve up to a height of 7.5 m (24.5 ft)
- 2) High resistance**
To abrasive liquids which are turbid and sandy
- 3) Semi-open impeller**
High thickness casting impact resistant
- 4) Wear plate/plates**
Easily replaceable stainless steel wear plate/plates
- 5) Easy inspection and cleaning**
Removable front covers for access to the impeller

Applications

Industry:

clean, dirty, sandy, muddy, neutral, alkaline, acidic liquids; low viscous petroleum products, solvents even if dirty; milk of lime, caustic soda; washing, cooling, recirculation, smoke scrubbing.

Treatment:

pumping polluted corrosive wastewater containing sand, mud or solids in suspension; dosing neutralizing liquids; pumping out settled sludge.

Naval:

loading and unloading; bilge pumping; washing, fire-fighting, stripping, sanitary duty and circulation.

Agriculture:

surface irrigation; liquid manure oxygenation; transfer and spraying liquid manure or fertilizers; distribution of liquid animal feed; transfer of wine must; washing.

Varisco S.r.l. has certified its Quality, Environment and Safety Management System in accordance with the requirements of the international standard ISO 9001-14001-45001, recognized by the Lloyd Register.

Specification is subject to change without prior notice. Please check with your Varisco representative for the latest specifications.

Document release date: February 15th 2024

JS 3-225 Q10



PERFORMANCE CURVES

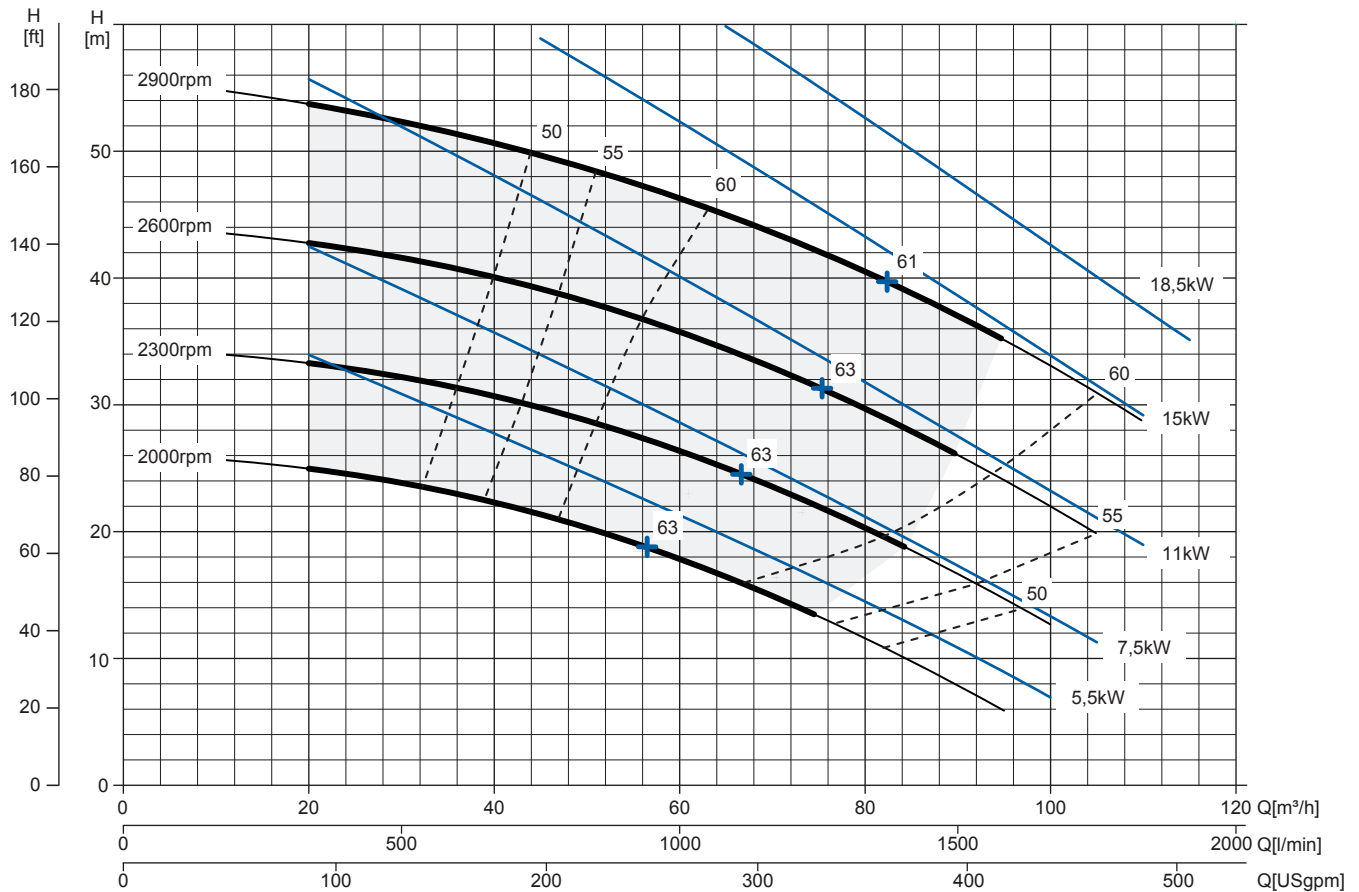
Test according to **UNI EN ISO 9906 standard - level 2B**

Installed power: **15 kW - 20 HP (2.900 rpm)**

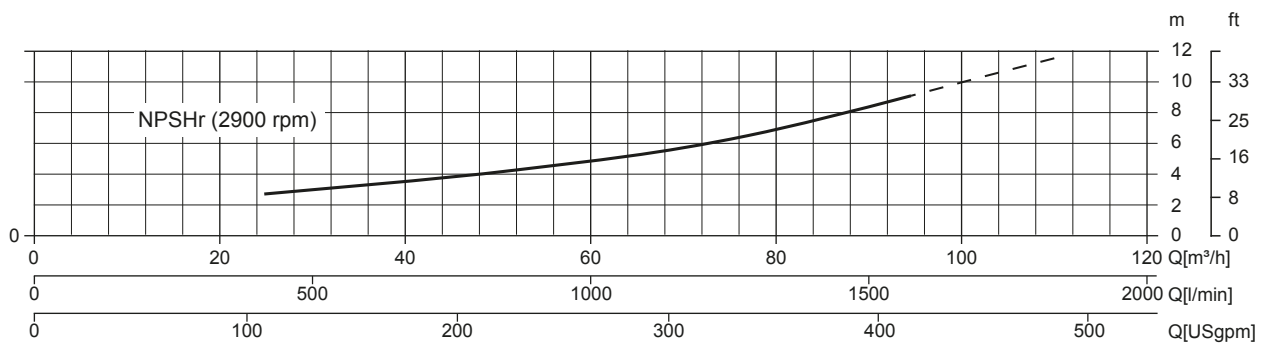
Test liquid: **clean water, density 1.000 kg/m³**

Spherical solids handling: **D.23 mm (0,9 ")**

Multiple Speed Curve



NPSHr Curve



JS 3-225 Q10

TECHNICAL DATA

Pump

Pump model	JS 3-225 Q10
Qmax [2.900 rpm]	95 m ³ /h - 1583 l/min (418 USgpm)
Hmax [2.900 rpm]	55 m (180 ft)
Suction port	Threaded - 3" ISO 228 (BSP)
Delivery port	Threaded - 3" ISO 228 (BSP)
Impeller type	Semi-open, 3 vanes
Solids handling	23 mm (0,9 ")
Casing	EN 1561 EN-GJL-200 cast iron + zinc anodes
Impeller	ASTM A351 CF3M stainless steel
Wear plate	AISI 316L stainless steel
Non-return valve	check-valve, FKM
Shaft	AISI 316 stainless steel
Mechanical seal	Silicon carbide / Silicon carbide
Elastomers	FKM
Lubrication	Grease
Bearing bracket	EN 1561 EN-GJL-200 cast iron, with oil lubricated ball bearings

Arrangement

Model	Bare shaft
Dimensions (L x W x H)*	623 x 328 x 407 mm (24.52 x 12.91 x 16.04")
Coating	Polyurethane enamel, average thickness of 100 µm
Color	RAL 5010 blue (standard)
Height connection	0,31 m (1 ft)

*without flanged ports

Optionals

Flanged ports DN80 PN16 EN1092-2 Type B	Complete pump set code available on request
Flanged ports 3" ANSI B16.1 Class 125 R.F.	Complete pump set code available on request
Automatic mechanical seal greaser	Code: 10008316
Thermocouple temperature sensor for ATEX pump	TC - Range temperature from 0 up to 300°C
Temperature sensors for ATEX pump	PT100 - Range temperature from 0 up to 300°C

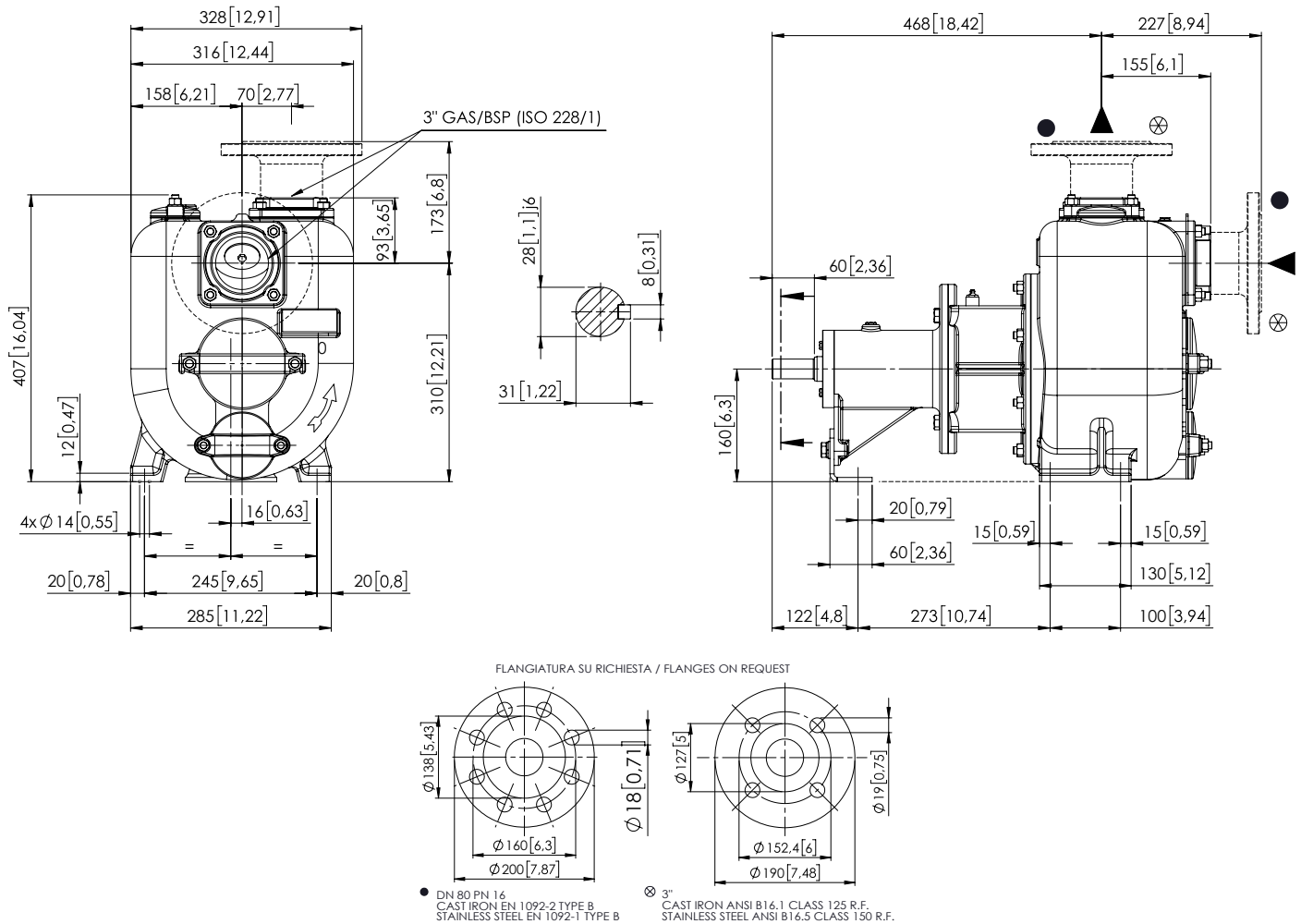
Weight

Net weight	75 kg (165 lb)
Gross weight (pump + packing)	88 kg (194 lb)

JS 3-225 Q10

DIMENSIONS

mm [in]



PACKAGING DIMENSIONS

Dimensions

JS 3-225 Q10 (L x W x H)

840 x 680 x 650 mm

Gross weight (pump + packing)

88 kg (194 lb)

